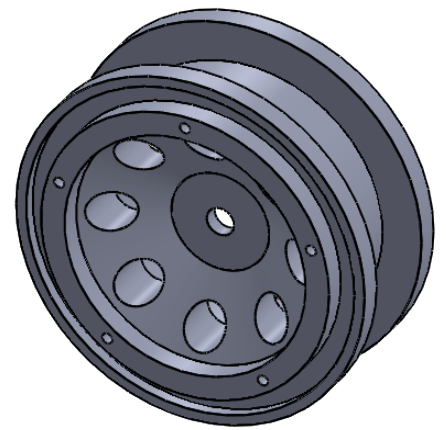
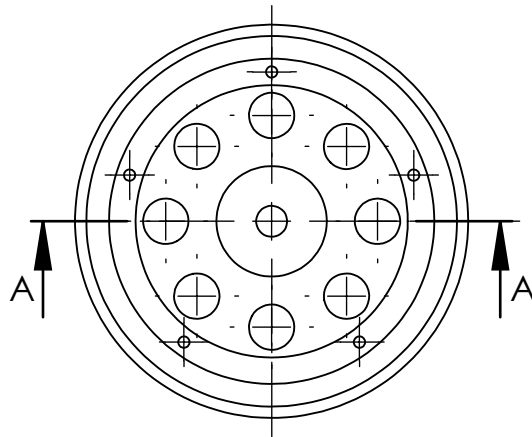


SECTION A-A



UNLESS OTHERWISE SPECIFIED:
 DIMENSIONS ARE IN MILLIMETERS
 SURFACE FINISH:
 TOLERANCES:
 LINEAR:
 ANGULAR:

FINISH:

DEBURR AND
 BREAK SHARP
 EDGES

DO NOT SCALE DRAWING

REVISION

	NAME	SIGNATURE	DATE
DRAWN			
CHK'D			
APPV'D			
MFG			
Q.A			

TITLE:

MATERIAL:

SOLIDWORKS Educational Product. For Instructional Use Only

WEIGHT:

DWG NO.

Crawler disk

A4

SCALE:1:1

SHEET 1 OF 1

F
E
D
C
B
A

F
E
D
C
B
A

4 3 2 1

4 3 2 1